

Ultra HD 4K PTZ Camera-UV420

Ultra HD, Wide View Angle, Multi-protocols

The Ultra HD 4K PTZ Camera-UV420 offers perfect functions, superior performance and rich interfaces. The features include advanced ISP processing algorithms to provide vivid images with a strong sense of depth, high resolution, and fantastic color rendition.



Key Features:

- **4K Ultra HD**
1/2.8 & 1/2.5 inch high quality 4K SONY CMOS sensor; 8.51 megapixel, resolution is up to 4K (3840x2160) and compatible with 1080P, 720P and other resolutions. 4K 60FPS
- **Optical Zoom Lens**
12X and 5X optical zoom lens, with 70° & 80° FOV without distortion.
- **Trinity image auto-focusing technology**
Focus on intelligent image processing, to provide automatic white balance (AWB), automatic exposure (AE), automatic focusing (AF) function, fully automatically adapt to the environment, to achieve the best image effect, perfect trinity image automatic adjustment.
- **Low Noise and High SNR**
Low noise CMOS ensures super high SNR image. The advanced 2D/3D noise reduction technology reduces the noise while ensuring high image clarity.
- **Multiple Video Outputs:**
HDMI, USB3.0 and LAN support audio video output
- **Multiple USB Compression Encoding Format:**
Support YUY2, MJPEG, H.264, NV12 video encoding formats
- **Multiple Audio Compression Standard**
Audio-in supports AAC, MP3 and G.711A audio compression; 8000, 16000, 32000, 44100, 48000 sampling frequency
- **Built-in gravity sensor**
Built-in gravity sensor supports PTZ auto-flip function, easy to install.
- **Multiple network protocol**
Supports ONVIF, GB/T28181, RTSP, RTMP protocols; RTMP push mode, easy to be connected to streaming server (Wowza, FMS); RTP multicast mode; VISCA control protocol
- **Control Interface**
RS422 (compatible with RS485); RS232 in & out; RS232 cascade connection
- **Multiple Control Protocol**
Support VISCA, PELCO-D, PELCO-P protocols; Support automatic identification protocols.
- **Extremely Quiet PTZ**
Adopting step driving motor mechanism and motor drive controller with high precision is to ensure PTZ works smoothly with low speed and without noise.
- **Multiple preset**
Up to 255 presets (10 presets for remote control).
- **IR & Wireless Remote Control**
IR remote control (default)
Wireless remote control (optional):
2.4G wireless remote control is not affected by the angle, distance or infrared interference.
Far-end-control is also available.
- **Multiple Applications**
Online-education, Lecture Capture, Broadcasting, Video conferencing, Tele-medicine, Unified Communication, Emergency command and control systems, etc.

Phone: +86-17771843647

Tel: +86-755-33288582

E-mail: claire@mingricctv.com

Web: www.minrraycam.com

Address: 5&6 Floor, Building 13-A, ZhongHaiXin Technology Park, Ganli Road, Lilang Avenue, Buji, Shenzhen 518112, China

Model No.:
UV420A: 12X Optical Zoom
UV420B: 5X Optical Zoom
Technical Specifications:

Model	UV420A	UV420B
Optical Zoom	12X	5X
FOV	Horizontal: 6.55° (tele) ~ 69.4° (wide) vertical: 3.66° (tele) ~ 42.8° (wide)	Horizontal: 26.51° (tele) ~ 79.18° (wide) vertical: 15.29° (tele) ~ 49.22° (wide)
Aperture	F1.6 - F2.8±5%	F2.0 - F2.8±5%
Image Sensor	1/2.8 Inch SONY CMOS Sensor	1/2.5 Inch SONY CMOS Sensor
Effective pixels	8.51M; 16:9	8.51M; 16:9
Video Format	HDMI Video Output Format: 4KP60, 4KP50, 4KP30, 4KP25, 1080P60, 1080P50, 1080i 60, 1080i 50, 1080P30, 1080P25, 720P60, 720P50 USB3.0 Video Output Format: YUY2/NV12: 1920×1080P30, 1280×720P30, 1024×576P30, 960×540P30, 800×448P30, 640×360P30, 640×480P30, 320×176P30 MJPEG/H.264: 3840×2160P30, 1920×1080P30, 1280×720P30, 1024×576P30, 960×540P30, 800×448P30, 640×360P30, 640×480P30, 320×176P30 USB3.0 compatible with USB2.0: YUY2/NV12: 640×360P30, 640×480P30, 320×176P30 MJPEG/H.264: 3840×2160P30, 1920×1080P30, 1280×720P30, 1024×576P30, 960×540P30, 800×448P30, 640×360P30, 640×480P30, 320×176P30	
Minimum Illumination	0.05Lux (F1.8, AGC ON)	
DNR	2D & 3D DNR	
White Balance	Auto / Manual/ One Push/ Specified Color Temperature	
Focus	Auto / Manual/ One Push	
Exposure mode	Auto/ Manual / Shutter Priority / Aperture Priority / Brightness priority	
Aperture	F1.8 - F11, CLOSE	
shutter speed	1/25 - 1/10000	
BLC	OFF/ON	
Dynamic range	OFF/ Dynamic Level Adjustment	

Phone:+86-17771843647

Tel:+86-755-33288582

E-mail:claire@mingricctv.com

Web:www.minrraycam.com

 Address: 5&6 Floor,Building 13-A,ZhongHaiXin Technology Park,Ganli Road,Lilang Avenue,Buji,Shenzhen
 518112,China

Video Adjustment	Brightness, Color, Saturation, Contrast, Sharpness, B/W mode, Gamma curve
SNR	≥50dB

Input/Output Interface	
Interfaces	HDMI, LAN(POE), USB3.0 (Type B, compatible with USB2.0) , A-IN, RS232-in & out; RS422 (Compatible with RS485) , Dial switch, DC12V, Power Switch
Video Compression	LAN: H.264, H.265 USB 3.0: MJPG, H264, YUY2, NV12
Audio-in Interface	Double track 3.5mm linear Input
Audio out	HDMI, LAN, USB3.0
Audio Compression	AAC, MP3, G.711A
LAN	10M/100M/1000M adaptive Ethernet port, support POE and audio/video output
Network Protocol	RTSP, RTMP, ONVIF, GB/T28181, VISCA Control Protocols, Remote Upgrade, reboot and reset
Control Interface	RS232-IN, RS232-OUT, RS422 (compatible with RS485)
Serial Protocol	VISCA/ Pelco-D / Pelco-P; Baud rate: 115200/38400/9600/4800/2400
USB Communication Protocol	UVC (video) , UAC (audio)
Power Interface	HEC3800 outlet (DC12V)
Power Adapter	Input: AC110V-AC220V ; Output: DC12V/2.5A
Input Voltage	DC12V±10%
Input Current	<1A
Power Consumption	<12W

PTZ Parameter	
Pan Rotation	-170°~+170°
Tilt Rotation	-30°~+90°
Pan Control Speed	0.1°/s~100°/s
Tilt Control Speed	0.1°/s~45°/s
Preset Speed	Pan: 100°/s, Tilt: 45°/s
Preset Number	255 Presets (10 presets by remote control)

Phone:+86-17771843647

Tel:+86-755-33288582

E-mail:claire@mingricctv.com

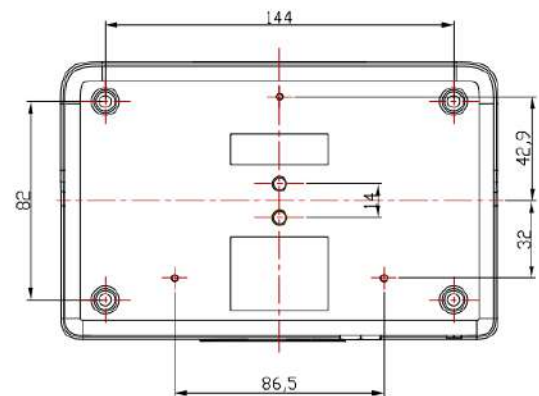
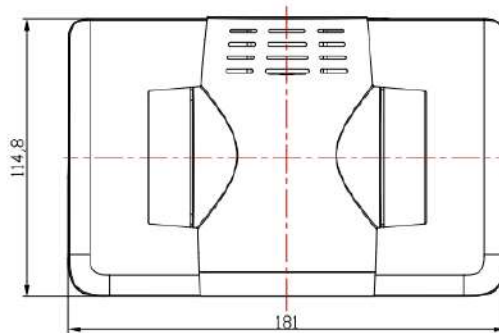
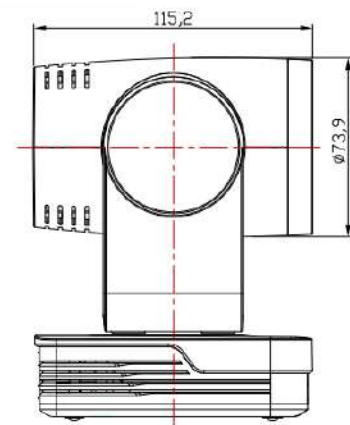
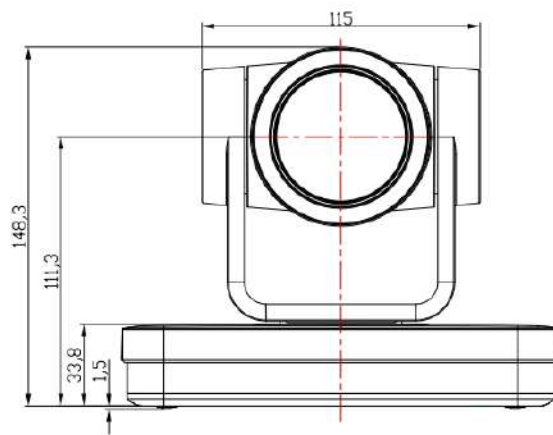
Web:www.minrraycam.com

Address: 5&6 Floor,Building 13-A,ZhongHaiXin Technology Park,Ganli Road,Lilang Avenue,Buji,Shenzhen 518112,China

Other Parameter	
Stored Temperature	-10℃~+60℃
Stored Humidity	20%~95%
Working Temperature	-10℃~+50℃
Working Humidity	20%~80%
Dimension	181 (L) mm × 115mm (W) × 149mm (H)
Weight(around)	1.15 kg
Application	Indoor

Accessory	
Package	Power supply,RS232 control cable,USB3.0 connection cable, Remote controller, User Manual
Optional Accessories	Ceiling / Wall Mount (Extra Cost)

Dimension: (unit: mm)



Phone:+86-17771843647

Tel:+86-755-33288582

E-mail:claire@minrraycam.com

Web:www.minrraycam.com

Address: 5&6 Floor,Building 13-A,ZhongHaiXin Technology Park,Ganli Road,Lilang Avenue,Buji,Shenzhen
518112,China