

Desktop HD Video Camera MG101A

This Desktop HD Video Camera MG101A offers perfect functions and superior performance. The features include advanced ISP processing algorithms to provide vivid images with a strong sense of depth, high resolution, and fantastic color rendition. It works stably and reliably and the operation and maintenance is easy and convenient.



Phone:+86-17771843647

Tel:+86-755-33288582

E-mail:claire@mingricctv.com

Web:www.minrraycam.com

Address: 5&6 Floor,Building 13-A,ZhongHaiXin Technology Park,Ganli Road,Lilang Avenue,Buji,Shenzhen 518112,China

Key Features

- **High-definition Image:** High quality CMOS sensor. Resolution is up to 1920x1080 with frame rate up to 30fps.
- **Multiple installation:** Free to choose installation place, the device is with fix clamp which enable it to be installed on LCD screen, the top of laptop or directly on desk and tripod.
- **Wide Application:** Personal Video Platform, Videoconferencing, Cooperative Office etc.
- **Convenient application:** No need to download driver or extra software, it is convenient and easy for users.
- **USB2.0 Interface:** Easy plug and play, power and upgrade support
- **Multiple Lens Optional:** 80 degree, 109 degree wide angle lens with free distortion for option
- **Stereo Sound:** Built in omni-directional high sensitivity digital pick-up; the stereo sound is clear and natural; no need installing external pick-up equipment.
- **Multiple Video Encoding:** Support H.264, H.265, MJPEG, YUV video encoding which enables the video play more fluently.

2.3 Technical Parameter

| Model | |
|-------------------------|--------------------------------------------------------------------------------------------------------------------------------------------------------------------------------------------------|
| Camera Parameter | |
| Sensor | high quality HD CMOS sensor |
| Effective Pixels | 16: 9 2.07 megapixels |
| Video Format | 960x540/320x180/432x240/640x360/800x448/800x600/864x480/960x720/1024x576/ 1280x720/1600x896/1920x1080/272x144/368x208/384x216/480x272/624x352/ 912x512/424x240/640x480/320x240/160x120/P30 |
| View Angle (default) | 93.5°(D)/83°(H)/53.1°(V) |
| View Angle | 88° (D)/ 80° (H)/ 50°(V) |
| Focal Length (default) | 3.5mm |
| Focal Length | 3.24mm |
| Minimum Illumination | 0.5Lux (F1.8, AGC ON) |
| Focus | Auto Manual |
| Aperture | Fixed |
| Backlight Contrast | On/Off |
| Exposure | Exposure parameters could be adjusted; support auto exposure |
| Video Adjustment | Brightness, Definition, Saturation, Contrast, White balance Mode, Gain, Anti-flicker, Low Brightness Compensation etc |
| SNR | >50dB |

| Input/Output Interface | |
|------------------------------|--------------------------------------------------------|
| Video Interfaces | USB2.0 (support power supply and upgrade) |
| Video Compression Format | H.264, H.265, YUV, MJPEG |
| Audio Input Interface | Built in omnidirectional high sensitive digital pickup |
| Other Parameter | |
| Input Voltage | 5V |
| Input Current | 500mA (Max.) |
| Power Consumption | 2.5W (Max.) |
| Stored Temperature/Humidity | -10°C ~+60°C 20%~95% |
| Working Temperature/Humidity | -10°C ~+50°C 20%~80% |
| Dimension (W*H*D) | 112mm*66mm*93mm |
| Weight (appx.) | 0.25kg |
| Application | Indoor |
| Accessory | User Manual |

Dimension(unit:mm)

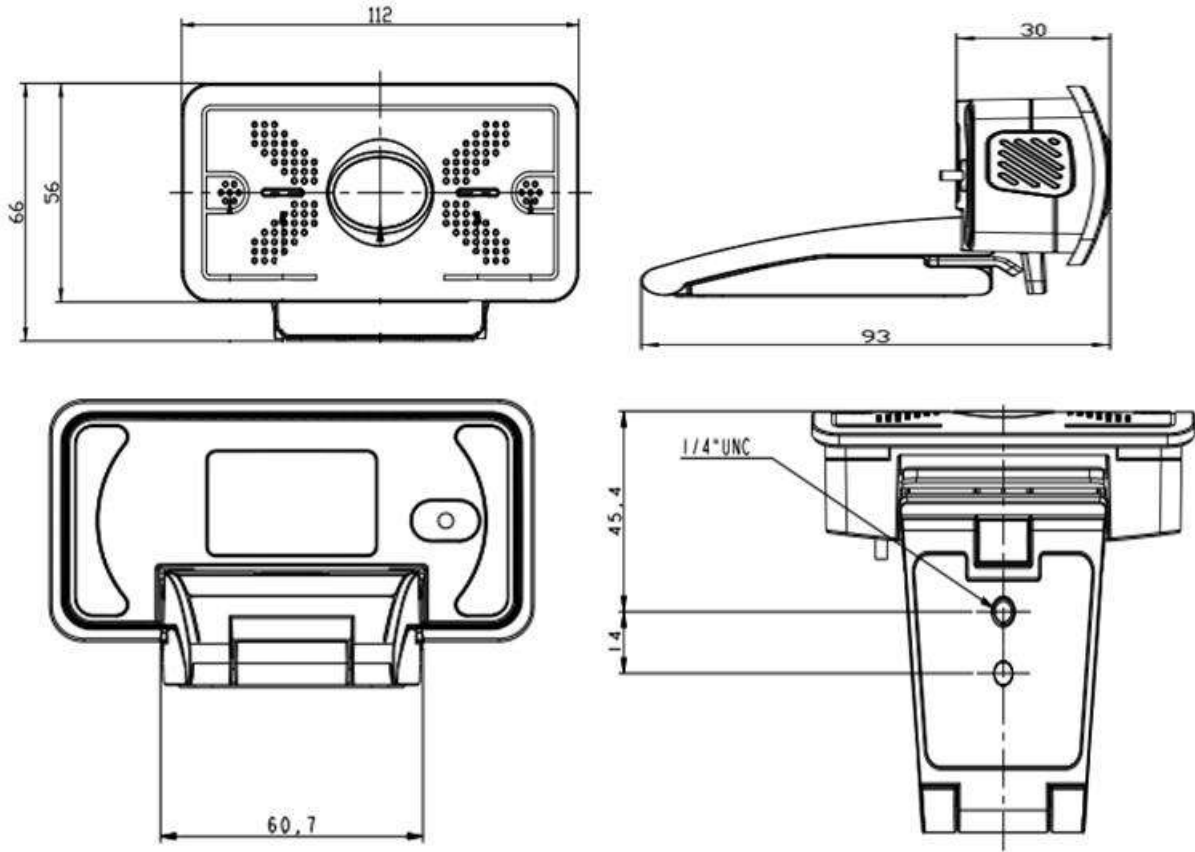
Phone:+86-17771843647

Tel:+86-755-33288582

E-mail:claire@mingricctv.com

Web:www.minrraycam.com

Address: 5&6 Floor,Building 13-A,ZhongHaiXin TechnologyPark,Ganli Road,Lilang Avenue,Buji,Shenzhen 518112,China



Phone:+86-17771843647

Tel:+86-755-33288582

E-mail:claire@mingricctv.com

Web:www.minrraycam.com

Address: 5&6 Floor,Building 13-A,ZhongHaiXin Technology Park,Ganli Road,Lilang Avenue,Buji,Shenzhen 518112,China